



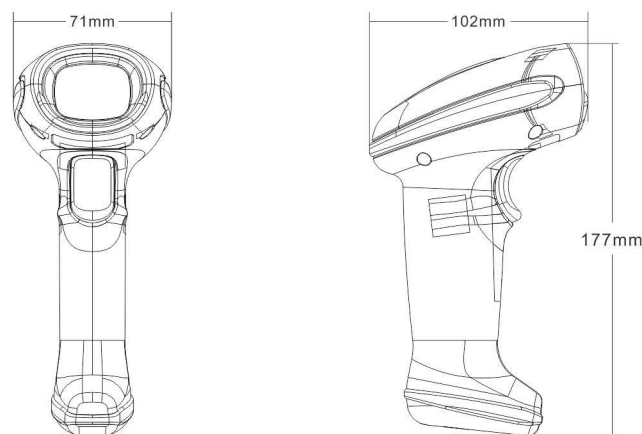
★ XB-6208



Product Feature

- Support various barcodes such as WeChat and Alipay
- New decoding chip for interpreting various 1D and 2D barcodes
- Support Chinese direct transmission of QR code
- Plug and play, easy to set up and quickly match
- Wire life more durable

Product Size



Specification

Performance Parameters	
Light Sources:	617nm LED Aimer, White LED
Supported Symbologies:	1D: EAN, UPC, Code 39, Code 93, Code 128, UCC/EAN 128, Codabar, Interleave 2 of 5, ITF-6, ITF-4, ISBN, ISSN, MSI-Plessey, GS1 Databar, GS1 Composite Code, Code 11, Industrial 25, Standard 25, Matrix 2 of 5. 2D: QR Code, Data Matrix, PDF417, Mircor PDF417, Aztec, Maxicode, Mircor QR, Hanxin Code.
Scan Tpye:	Image CMOS
Resolution:	640*480
Scan Mode:	Manual/Continuous/Automatic Induction Scanning
Precision:	≥5mil
Scan Angle:	Yaw±60°, Rotation 360°, Pitch±60°
Depth of scan field:	EAN13 50-200mm(13mil); QR 25-240mm(20mil); PDF417 30-130mm(6.67mil)
Error Rate:	1/5million
Interface :	USB-HID, USB-COM, RS232

Physical Parameters	
Dimensions:	102mm*71mm*177mm
Weight:	162.3g
Material:	ABS+PC
Cable Length:	2M

Environmental Parameters	
Operating Temperature:	-20°C~50°C
Storage Temperature:	-40°C~70°C
Relative Humidity:	5% ~95% RH(Non-condensing)
Ambient lighting:	0~100000LUX
Shock Resistance:	Withstands multiple times 3 meters drops to concrete

Electronic Parameters	
Working Voltage:	DC5V±5%
Operating Current:	170mA
Standby Current:	USB 25mA; RS232 2uA

Application

